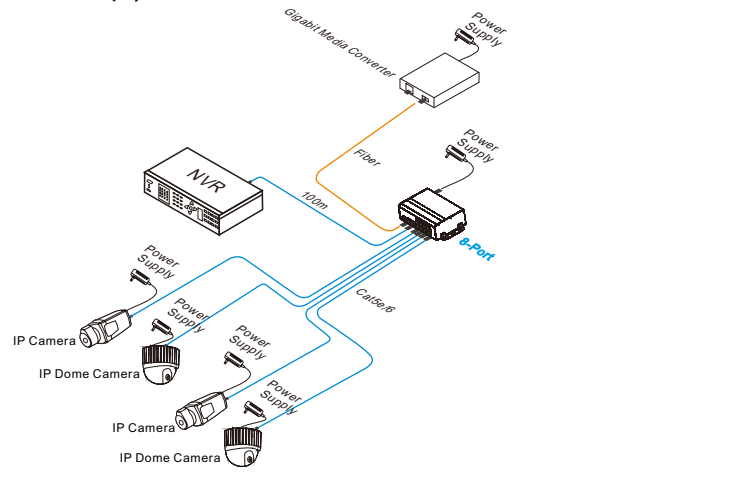


Industrial Switch User Manual

13.238.101.1871
VerA 1.0

Full gigabit one-key fast ring industrial unmanaged switches provide 2/6/8*100/1000Base-TX Ethernet port and 2*1000Base-FX SFP slots. Support auto speed reduction on Ethernet ports, the transmission distance is up to 200 meters max. What's more, the series support one-key ring and one-key broadcast storm prevention (BSP). With industrial components, fanless and low power consumption design, the series meet the requirement of industrial project, and are widely used in Smart power grid, rail transportation, smart city, safe city, new energy, aerospace, smart manufacturing, military and other industrial fields.

Application (8-Port as an Example)



Feature

- Provide 2/6/8*100/1000Base-TX Ethernet port and 2*1000Base-FX SFP slots.
- Support max 200 meters of transmission distance with auto speed reduction.
- Support one-key ring, with self-healing time in 20ms.
- Support one-key broadcast storm prevention (BSP), preventing crash of the switches.
- Support one channel relay alarm output, fanless, wave metal shell, low power consumption design.
- Support installation of DIN rail and wall mounted, adapting to a variety of environments.
- Support wide voltage input range from DC 12V to DC 48V.

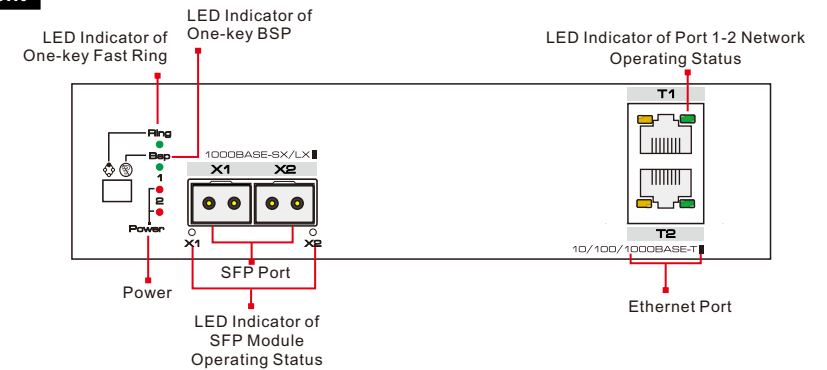
Notice

- 1) Transmission distance is related to the connecting cable. We suggest to use standard Cat5e/6 network cable to get the max transmission distance.
- 2) If using optical port, customer need to purchase SFP module additional.
- 3) The equipment must be connected to anti-thunder grounding, otherwise the protection level will be greatly reduced. Please use NO. 20th or above wire to connect grounding terminal to the earth.

Board Diagram

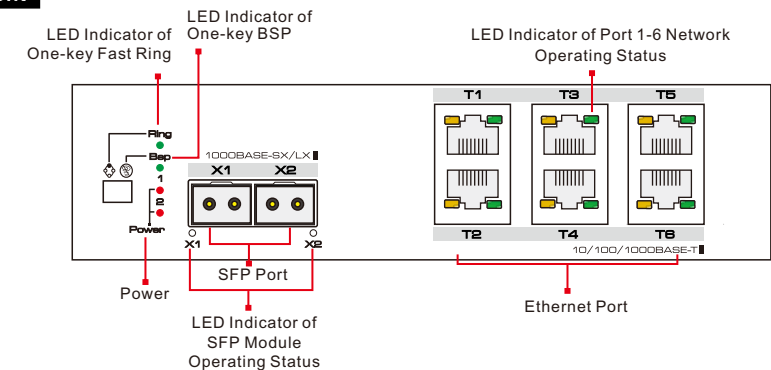
2-Port

Front



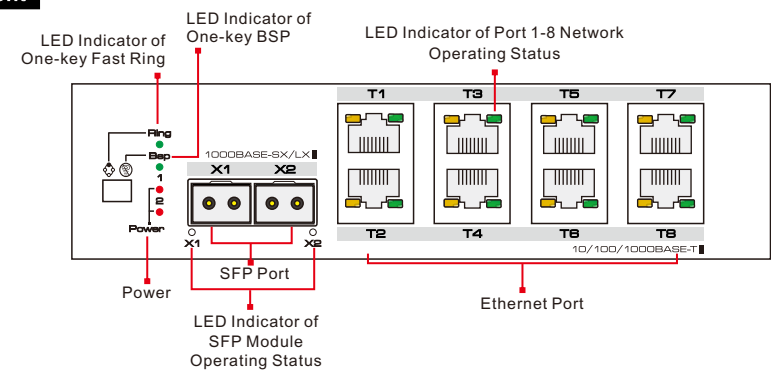
6-Port

Front



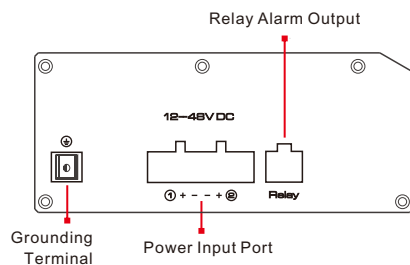
8-Port

Front



2-Port/6-Port/8-Port

Left Side



Installation Steps

Please check the following items before installation. If any missing, please contact the dealer.

- Industrial Switch 1 pc
- Hanger 2 pcs
- Rail Bracket 1 pc
- User Manual 1 pc
- Warranty Card 1 pc
- Desiccant 1 pc
- Mounting Kits 1 pc

Please follow the following installation steps

- 1) Please turn off the signal source and the device's power, installation with power on may damage the device.
- 2) Use 4pcs network cables to connect IP cameras with the product's 1-8 RJ45 Ethernet ports.
- 3) Use another network cable or (optical fiber) to connect switch's UPLINK port with NVR or computer.
- 4) Connect switch with power adapter.
- 5) Check if the installation is correct and device is good, make sure all the connection is reliable and power up the system.
- 6) Make sure every network device power supply works normally.

Trouble Shooting

Please find the following solution when the device doesn't work

- Please confirm if the installation is correct.
- Please confirm if the RJ45 cable order in accordance with the EIA/TIA568A or 568B industry standards.
- The maximum consumption of every PoE port can supply to the PoE device can't over 38W, please do not use the PoE device which consumption over 38W.
- Please replace a normal device with a failure one to check if the device is broken.
- If the problem still exist, please contact the factory.

Specification

Item	2-Port	6-Port	8-Port
Downlink Port	2*100/1000Base-T	6*100/1000Base-T	8*100/1000Base-T
Uplink Port	2*1000 Base-X SFP slots		
Alarm Output	One channel relay alarm out put, 1A@DC 9V, 2 cores, 5.08mm terminal		
DIP Switch	1.Enable / Disable fast ring with self-healing time less than 20ms. 2. Enable / Disable broadcast storm prevention.		
Network Standard	IEEE802.3, IEEE802.3u, IEEE802.3ab, IEEE802.3Z, IEEE802.3X, IEEE 802.1P		
Switching Capacity	8Gbps	16Gbps	20Gbps
Forwarding Rate	3.8Mpps	11.1Mpps	14.9Mpps
Buffer Memory	2Mbit		
MAC Address	16K		
Jumbo Frame	10K bytes		
LED Indicator	Port: 1*Link/Act (Green) & 1*Speed Rate (Orange) 1*One-key Fast Ring (Green), 1*One-key BSP (Green), 2*PWR (Red)		
Surge	6KV per: IEC61000-4-5		
ESD	6KV contact discharge / 8KV air discharge Per: IEC61000-4-2		
Access Terminal	4 PIN 5.08mm		
Input Power	External industrial DIN rail power supply / DC 12V-48V (Optional)		
Power Consumption	≤6W(Full load)	≤12W(Full load)	≤12W(Full load)
Operating Temperature	-40-75°C		
Storage Temperature	-40-85°C		
Operating humidity	5%-95%(Non-condensing)		
Shell	IP40, metal shell		
Dimension (L*W*H)	159mm*110mm*46.5mm		
Installation	DIN rail or Wall mounted		
Weight	640g	713g	749g
Certification	CE, FCC		

Product are subject to change without prior notice.